

For use with fire hose rack assembly, fire extinguisher & fire dept valve

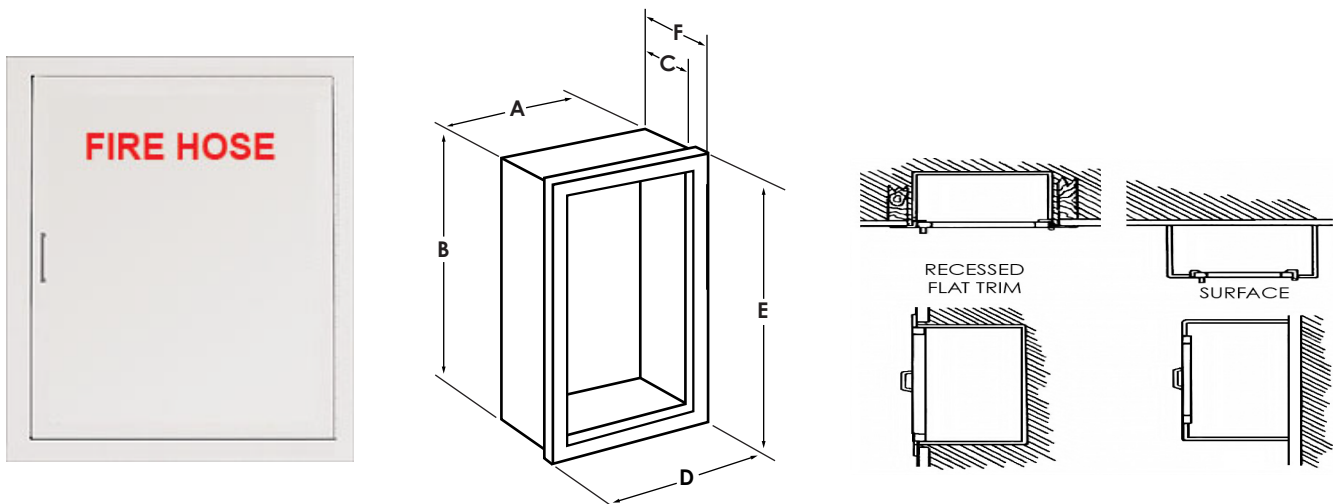
Cabinets will accommodate a single 1 1/2" or 2 1/2" fire hose rack assembly and 2 1/2" fire dept valve with cap and chain and a portable fire extinguisher.

Standard Equipment

- Heavy gauge steel construction tub, door and trim
- Steel, white or red epoxy powder coated or oven enamelled paint
- Stainless steel option
- Continuous steel piano hinge
- Keyed cylinder lock option
- Complete metal door, no window

CAT#	DESCRIPTION
AR-140-ST-W	Cabinet for 1 1/2" Hose Rack, 2 1/2" valve, Extinguisher, Steel, White, Surface
AR-140-ST-R	Cabinet for 1 1/2" Hose Rack, 2 1/2" valve, Extinguisher, Steel, Red, Surface
AR-140-SS	Cabinet for 1 1/2" Hose Rack, 2 1/2" valve, Extinguisher, Stainless Steel, Surface
AR-141-ST-W	Cabinet for 1 1/2" Hose Rack, 2 1/2" valve, Extinguisher, Steel, White, Recessed
AR-141-ST-R	Cabinet for 1 1/2" Hose Rack, 2 1/2" valve, Extinguisher, Steel, Red, Recessed
AR-141-SS	Cabinet for 1 1/2" Hose Rack, 2 1/2" valve, Extinguisher, Stainless Steel, Recessed

MODEL	VALVE CAP	HOSE CAP	INSIDE BOX DIMENSIONS			OVERALL OUTSIDE DIMENSION		
			A	B	C	D	E	F
AR-140 SURFACE	1-1/2" OR 2-1/2"	100' POLY LINED HOSE	86,5 cm	97,5 cm	20,5 cm	87 cm	98 cm	21 cm
AR-141 RECESSED			86,5 cm	92,5 cm	20,5 cm	92 cm	103 cm	21,5 cm



Rev. 1.0 - ABR 2020