

For use with single fire extinguisher

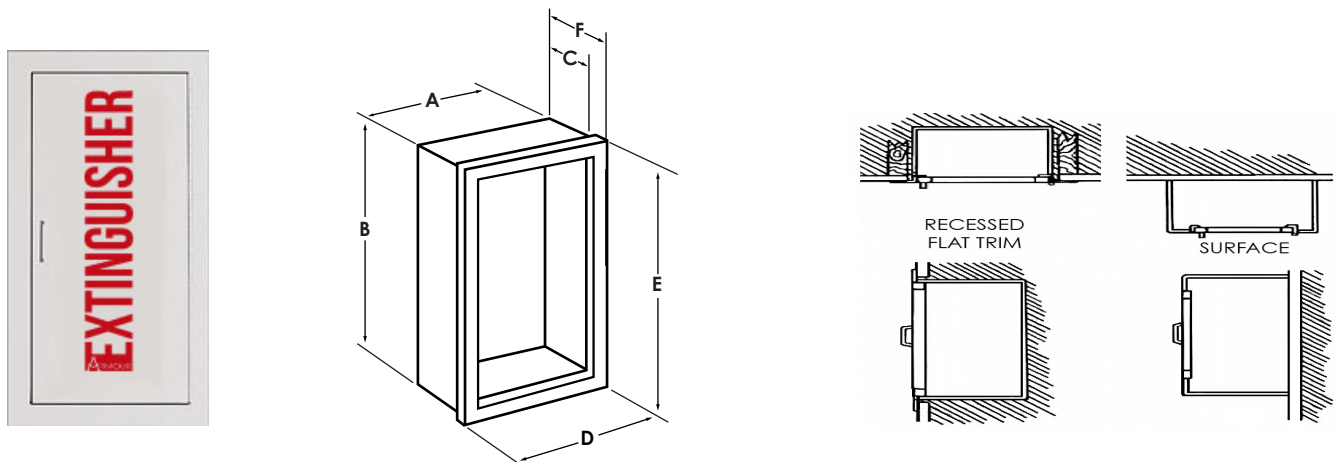
Cabinets will accommodate a single portable fire extinguisher, ABC 10 lbs or 5 lbs; CO2 5 lbs

Standard Equipment

- Heavy gauge steel construction tub, door and trim
- Steel, white or red epoxy powder coated or oven enamelled paint
- Stainless steel option
- Continuous steel piano hinge
- Keyed cylinder lock option
- Complete metal door, no window

CAT#	DESCRIPTION
AR-160-ST-W	Cabinet for single fire extinguisher, steel, white, surface
AR-160-ST-R	Cabinet for single fire extinguisher, steel, red, surface
AR-160-SS	Cabinet for single Fire Extinguisher, stainless steel, surface
AR-161-ST-W	Cabinet for single fire extinguisher, steel, white, recessed
AR-161-ST-R	Cabinet for single fire extinguisher, steel, red, recessed
AR-161-SS	Cabinet for single fire extinguisher, stainless steel, recessed
AR-161S-ST-W	Cabinet for single fire extinguisher, steel, white, semi-recessed
AR-161S-ST-R	Cabinet for single fire extinguisher, steel, red, semi-recessed
AR-161S-SS	Cabinet for single fire extinguisher, stainless steel, semi-recessed

MODEL	INSIDE BOX DIMENSIONS			OVERALL OUTSIDE DIMENSION		
	A	B	C	D	E	F
AR-160 SURFACE	31,5 cm	69,5 cm	19,5 cm	32 cm	70 cm	20 cm
AR-161 RECESSED	31,5 cm	69,5 cm	19,5 cm	37 cm	75 cm	20 cm
AR-161S SEMI-RECESSED	31,5 cm	69,5 cm	19,5 cm	37 cm	75 cm	Customized



ABR 2021