

#### For use with single fire extinguisher

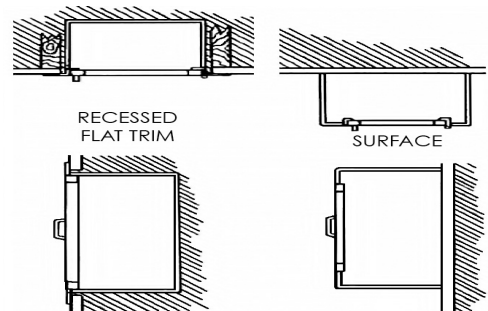
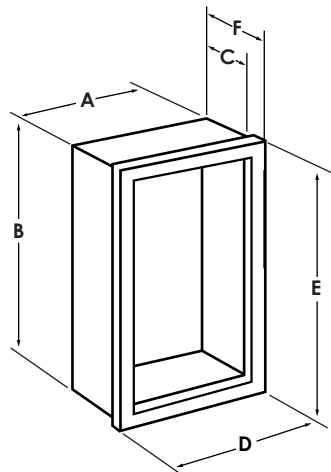
Cabinets will accommodate a single portable fire extinguisher, CO2 10 lbs, H2O 2.5 gal and ABC 20lb

#### Standard Equipment

- Heavy gauge steel construction tub, door and trim
- Steel, white or red epoxy powder coated or oven enamelled paint
- Stainless steel option
- Continuous steel piano hinge
- Keyed cylinder lock option
- Complete metal door, no window

CAT#	DESCRIPTION
AR-162-ST-W	Cabinet for single fire extinguisher, steel, white, surface
AR-162-ST-R	Cabinet for single fire extinguisher, steel, red, surface
AR-162-SS	Cabinet for single fire extinguisher, stainless steel, surface
AR-163-ST-W	Cabinet for single fire extinguisher, steel, white, recessed
AR-163-ST-R	Cabinet for single fire extinguisher, steel, red, recessed
AR-163-SS	Cabinet for single fire extinguisher, stainless steel, recessed
AR-163S-ST-W	Cabinet for single fire extinguisher, steel, white, semi-recessed
AR-163S-ST-R	Cabinet for single fire extinguisher, steel, red, semi-recessed
AR-163S-SS	Cabinet for single fire extinguisher, stainless steel, semi-recessed

MODEL	INSIDE BOX DIMENSIONS			OVERALL OUTSIDE DIMENSION		
	A	B	C	D	E	F
AR-162 SURFACE	37,5 cm	75 cm	22 cm	38 cm	76 cm	22,5 cm
AR-163 RECESSED	37,5 cm	75 cm	22 cm	43 cm	81 cm	23 cm
AR-163S SEMI-RECESSED	37,5 cm	75 cm	22 cm	43 cm	81 cm	Customized



ABR 2021