

For use with two fire extinguishers

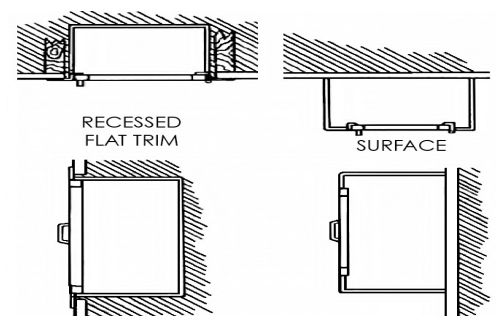
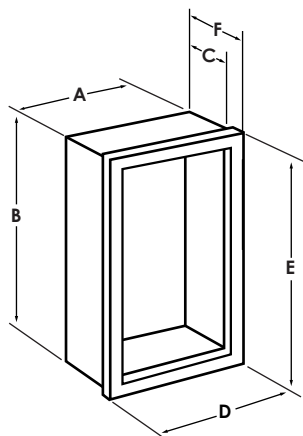
Cabinets will accommodate any combination of 2 portable extinguishers CO2, H2O or ABC

Standard Equipment

- Heavy gauge steel construction tub, door and trim
- Steel, white or red epoxy powder coated or oven enamelled paint
- Stainless steel option
- Continuous steel piano hinge
- Keyed cylinder lock option
- Clear acrylic panel

CAT#	DESCRIPTION
AR-164-ST-W	Cabinet for two fire extinguisher, steel, white, surface
AR-164-ST-R	Cabinet for two fire extinguisher, steel, red, surface
AR-164-SS	Cabinet for two fire extinguisher, stainless steel, surface
AR-165-ST-W	Cabinet for two fire extinguisher, steel, white, recessed
AR-165-ST-R	Cabinet for two fire extinguisher, steel, red, recessed
AR-165-SS	Cabinet for two fire extinguisher, stainless steel, recessed
AR-165S-ST-W	Cabinet for two fire extinguisher, steel, white, semi-recessed
AR-165S-ST-R	Cabinet for two fire extinguisher, steel, red, semi-recessed
AR-165S-SS	Cabinet for two fire extinguisher, stainless steel, semi-recessed

MODEL	INSIDE BOX DIMENSIONS			OVERALL OUTSIDE DIMENSION		
	A	B	C	D	E	F
AR-164 SURFACE	70 cm	75 cm	22 cm	70,5 cm	75,5 cm	22,5 cm
AR-165 RECESSED	70 cm	75 cm	22 cm	76 cm	81 cm	23 cm
AR-165S SEMI-RECESSED	70 cm	75 cm	22 cm	76 cm	81 cm	Customized



ABR 2021