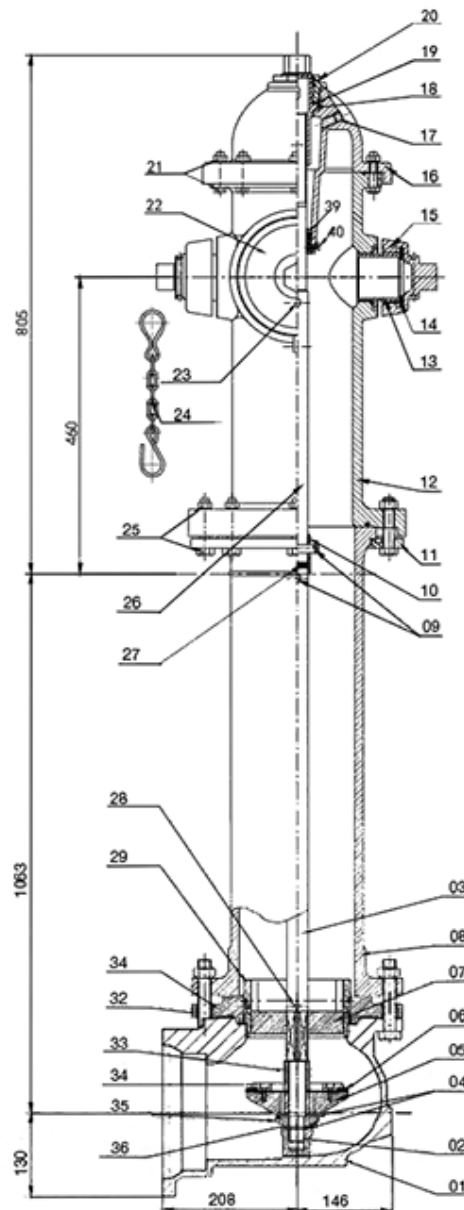




Technical specifications

- Design standard: AWWA C502
- Nominal pressure 250 PSI
- One pumper nozzle, 4.5 - 4 NH thread.
Two hose nozzle 2.5 - 7.5 NH threads. Other kinds of threads are available.
- Mechanical connector: AWWA/ANSI C153/A21.53 6"



UL EX15083 FM 3032416

Component list

No.	Part	Qty.	Material	Remark
40	Bolt	2	304	ASTM A240
39	Screw stem bushing	1	304	ASTM A240
38	100 Cover gasket	1	EPDM	Figure not show
37	100 Connector	1	C83600	ASTM B62
36	Check turn gasket	1	Gr.B	ASTM A283-B
35	Locking nut seat	1	DI	
34	Platen	1	DI	
33	Annulaqr tubes	1	1045	ASTM A29/29M
32	Bolt nut	8	135	ASTM A29/29M
31	Seat fixing plate	1	DI	
29	Seat	1	C83600	ASTM B62
28	Pressure relief valve		C83600	ASTM B62
27	Cushion rubber	1	EPDM	
26	Screw stem	1	1045	ASTM A29/29M
25	Bolt nut	8	135	ASTM A29/29M
24	Cover chain	3	DI	
23	Cylindrical pin	1	1045	ASTM A29/29M
22	100 cover	1	DI	
21	Bolt nut	8	135	ASTM A29/29M
20	Screw nut seat	1	C83600	ASTM B62
19	Screw nut gasket	1	C83600	ASTM B62
18	Screw stem nut	1	C83600	ASTM B62
17	Thread plug	1	C83600	ASTM B62
16	Upper end cover	1	DI	
15	65 cover	2	DI	
14	65 cover gasket	2	EPDM	
13	65 connector	2	C83600	ASTM B62
12	Main body in ground	1	DI	
11	Clamp for connection tube	1	DI	
10	Connecting rod sleeve	1	1045	ASTM A29/29M
09	Perforated cylindrical pin	2	1045	ASTM A29/29M
08	Connecting cylinder	1	DI	
07	Guid bracket	1	C83600	ASTM B62
06	Sealed rubber sheet	1	EPDM	
05	Tray	1	DI	
04	Locking nut gasket	1	EPDM	
03	Connecting rod	1	1045	ASTM A29/29M
02	Locking nut	1	DI	
01	Mechanical connector	1	DI	