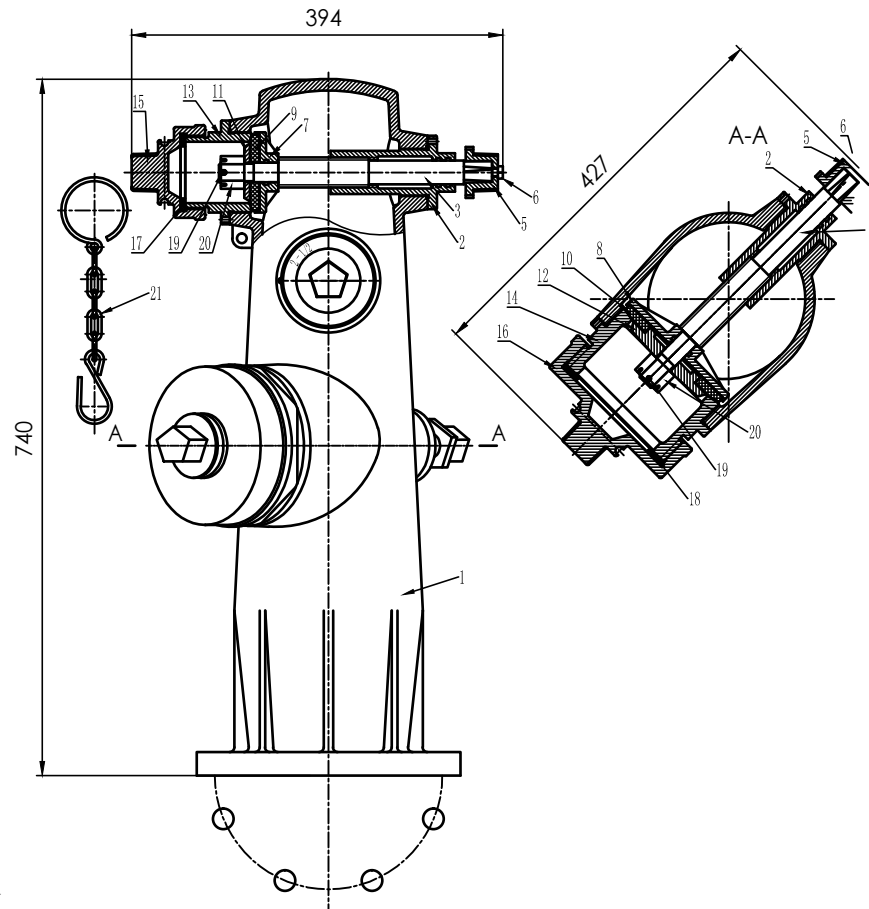




Technical specification

- Design standard: ANSI / AWWA C503
- Nominal working pressure 250 PSI.
Hydrostatically tested at 500 PSI.
- Nozzle threads: 4-1/2" and 2-1/2" conform to NFPA 1963 NH/NST.
- Pattern flange conform to ANSI B16.5 6" Class 125/150, 8 holes 7/8" (22mm).
- Working temperature: 0° - 80° C
- Individual stem operation



Component list

No.	Part	Qty.	Material	Remark
21	Cover chain		Gr. B	ASTM A283-B
20	Slotted nut	3	SS30400	ASTM A240
19	Cotter pin	3	SS30400	ASTM A240
18	4.5" Cover gasket	1	EPDM	ASTM D2000
17	2.5" Cover gasket	2	EPDM	ASTM D2000
16	4.5" Outlet cover	1	DI	ASTM A536
15	2.5" Outlet cover	2	DI	ASTM A536
14	4.5" Outlet	1	C95400	ASTM B148
13	2.5" Outlet	2	C95400	ASTM B148
12	4.5" Platen	1	DI/SS30400/C95400	ASTM A536/ASTM A240/ASTM B148
11	2.5" Platen	2	DI/SS30400/C95400	ASTM A536/ASTM A240/ASTM B148
10	4.5" Sealing rubber sheet	1	EPDM	ASTM D2000
09	2.5" Sealing rubber sheet	2	EPDM	ASTM D2000
08	4.5" Tray	1	DI/SS30400/C95400	ASTM A536/ASTM A240/ASTM B148
07	2.5" Tray	2	DI/SS30400/C95400	ASTM A536/ASTM A240/ASTM B148
06	Bolt	3	SS30400	ASTM A240
05	Stem cap	3	DI	ASTM A536
04	4.5" Bolt	1	SS30400/C95400	ASTM A240/ASTM B148
03	2.5" Bolt	2	SS30400/C95400	ASTM A240/ASTM B148
02	Nut	3	C95400	ASTM B148
01	Main body	1	DI	ASTM A536